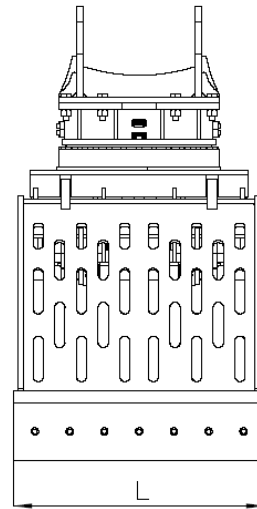
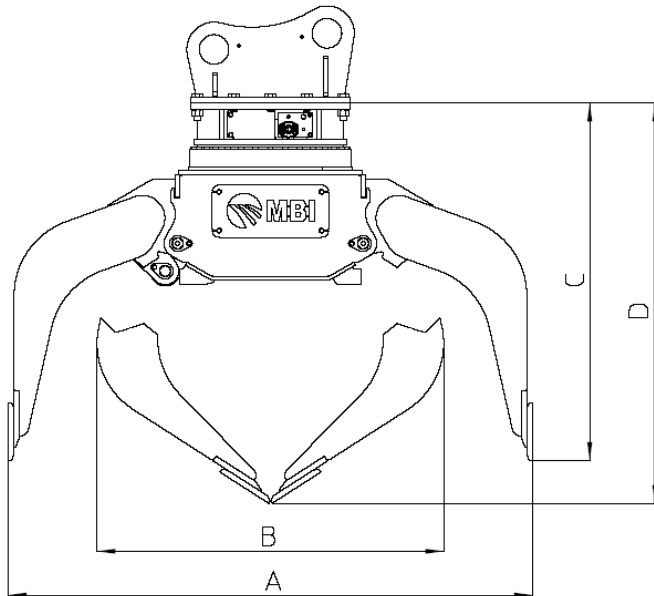


# GRAPPLE

GR300 – GR500 – GR600 – GR850 – GR1000 – GR1300 – GR1500 – GR2200 – GR2400 – GR3400



	GR300	GR500	GR600	GR850	GR1000	GR1300	GR1500	GR2200	GR2400	GR3400
	(mm)	(mm)	(mm)	(mm)	(mm)	(mm)	(mm)	(mm)	(mm)	(mm)
<b>Jaw opening A</b>	1200	1570	1570	1710	1825	2040	2110	2300	2500	-
<b>Jaw closing B</b>	700	945	945	1005	1010	1225	1230	1520	1570	-
<b>Height opening C</b>	900	990	990	1060	1090	1350	1370	1870	1930	-
<b>Height closing D</b>	1010	1140	1140	1240	1300	1540	1580	2060	2180	-
<b>Shell width L</b>	500	600	750	750	850	950	1100	1130	1300	-
<b>Excavator weight (Tonnes)</b>	3-6	5-8	7-10	11-15	13-18	16-21	22-27	28-34	30-37	38-60
<b>Tool weight (KGs)</b>	320	535	595	850	950	1400	1500	2200	2400	n.d.